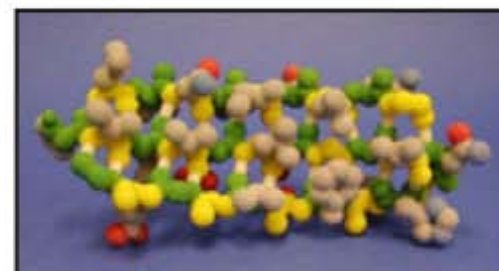




Ταχύτητα: 2 επίπεδα/λεπτό (έγχρωμα)
Όγκος χτισίματος: 254 mm x 356mm x 203 mm
Πάχος στρώματος: 0 .076-0.254 mm
Χρώμα: Πλήρες RGB χρώμα (32 εκατ. χρώματα)
Ανάλυση: 600 x540 dpi
Διαστάσεις: 1067 x 794 x 1257 mm
Βάρος: 204 kg
Τύπος αρχείων για εκτύπωση:
STL, VRML, PLY, SFX
Λογισμικό: Το λογισμικό της Z Corporation
δέχεται αρχεία σε μορφή STL, VRML
(WRL), SFX. Το λογισμικό μπορεί να τρέξει
σε οποιοδήποτε λειτουργικό σύστημα.



FREDERICK UNIVERSITY
CYPRUS

Instructor: Dr. A. Lontos

Title: Rapid Prototyping

SUBJECT: Manufacturing Processes

Department of
Mechanical Engineering

Figure 1-a

Spectrum Z™ 510 — High-Definition Color

- Full-spectrum 24-bit color
- 600 x 540 dpi resolution
- Large build area
 - 254 x 356 x 203 mm
 - 10 x 14 x 8 inches
- Layer thickness
 - .089 - .203 mm
 - .0035 - .008 inches



A 3D Printer is an Output Device for 3D CAD Data

3D CAD File

3D Printer

3D Model

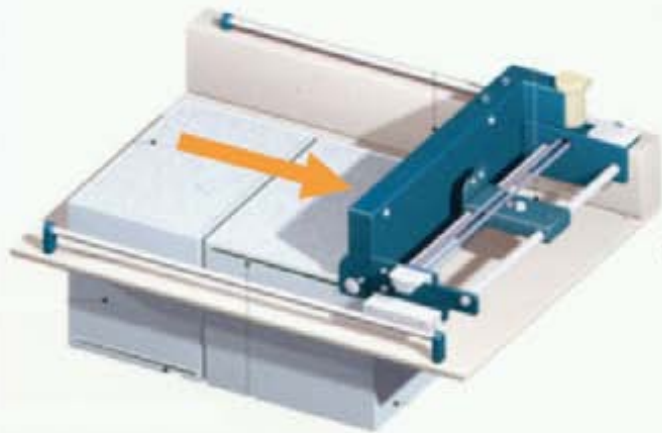


How it Works

- Software "slices" CAD file into thousands of thin layers
- Physical model is built one layer at a time
- Ink-jet print heads deposit binder into powder to create layers

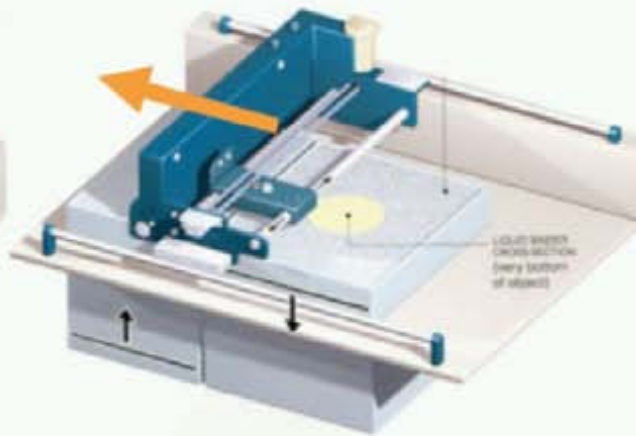
1

Spread Layer of Powder



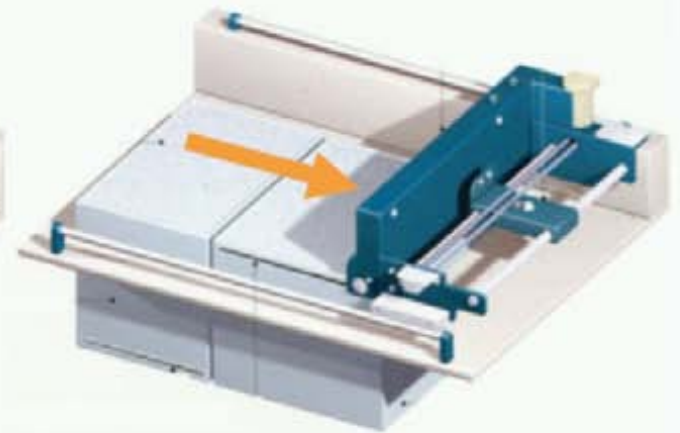
2

Print Cross-Section

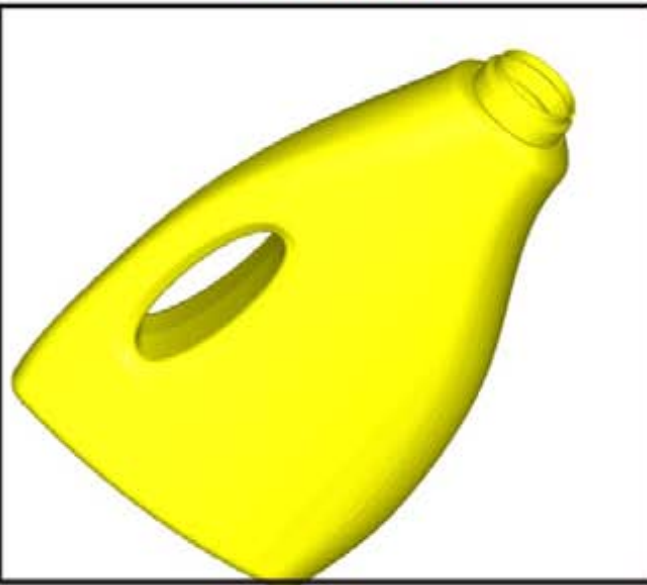


3

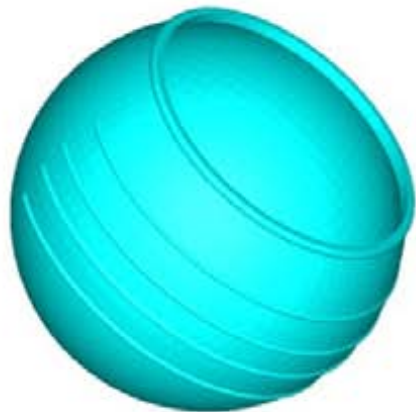
Spread Layer of Powder



Drawings



Prototypes



FREDERICK UNIVERSITY
CYPRUS

Instructor: Dr. A. Lontos

Title: Rapid Prototyping

SUBJECT: Manufacturing Processes

Department of
Mechanical Engineering

Figure 4-a



Color-code assemblies, tooling components, or machining surfaces to clearly communicate process steps



Applications in Architecture



FREDERICK UNIVERSITY
CYPRUS

Instructor: Dr. A. Lontos

Title: Rapid Prototyping

SUBJECT: Manufacturing Processes

Department of
Mechanical Engineering

Figure 6-a

Applications in GIS



FREDERICK UNIVERSITY
CYPRUS

Instructor: Dr. A. Lontos

Title: Rapid Prototyping

SUBJECT: Manufacturing Processes

Department of
Mechanical Engineering

Figure 7-a